



TRANSPORTATION CABINET

Frankfort, Kentucky 40622
www.transportation.ky.gov/

Steven L. Beshear
Governor

Michael W. Hancock, P.E.
Secretary

January 24, 2012

CALL NO. 311
CONTRACT ID NO. 122908
ADDENDUM # 1

Subject: Bell County, FE02 007 2133 B00016N
Letting January 27, 2012

- (1) Added - Bridge Drawings - Pages 31(a)-31(b) of 74
- (2) Revised - Bid Items - Pages 73-74 of 74

Proposal revisions are available at <http://transportation.ky.gov/contract/>.

If you have any questions, please contact us at 502-564-3500.

Sincerely,

A handwritten signature in blue ink that reads "Ryan Griffith".

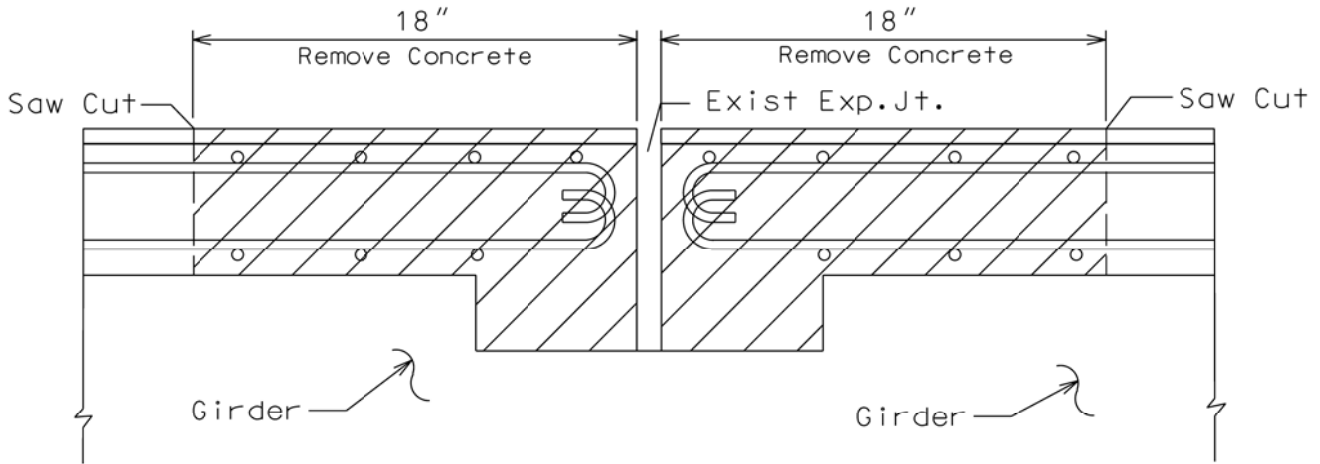
Ryan Griffith
Director
Division of Construction Procurement

RG:ks
Enclosures



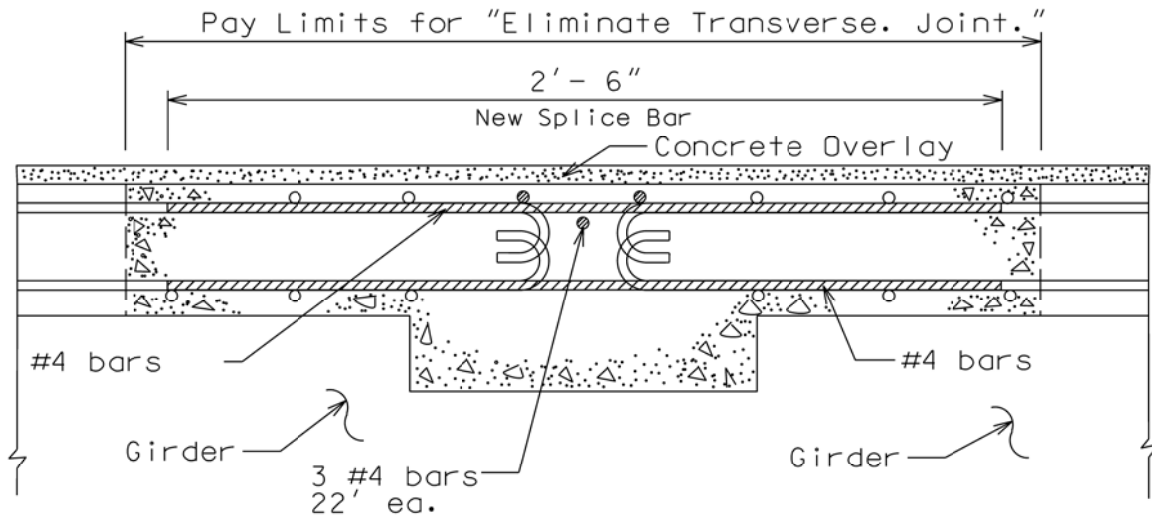
An Equal Opportunity Employer M/F/D

ELIMINATE TRANSVERSE JOINT DETAIL



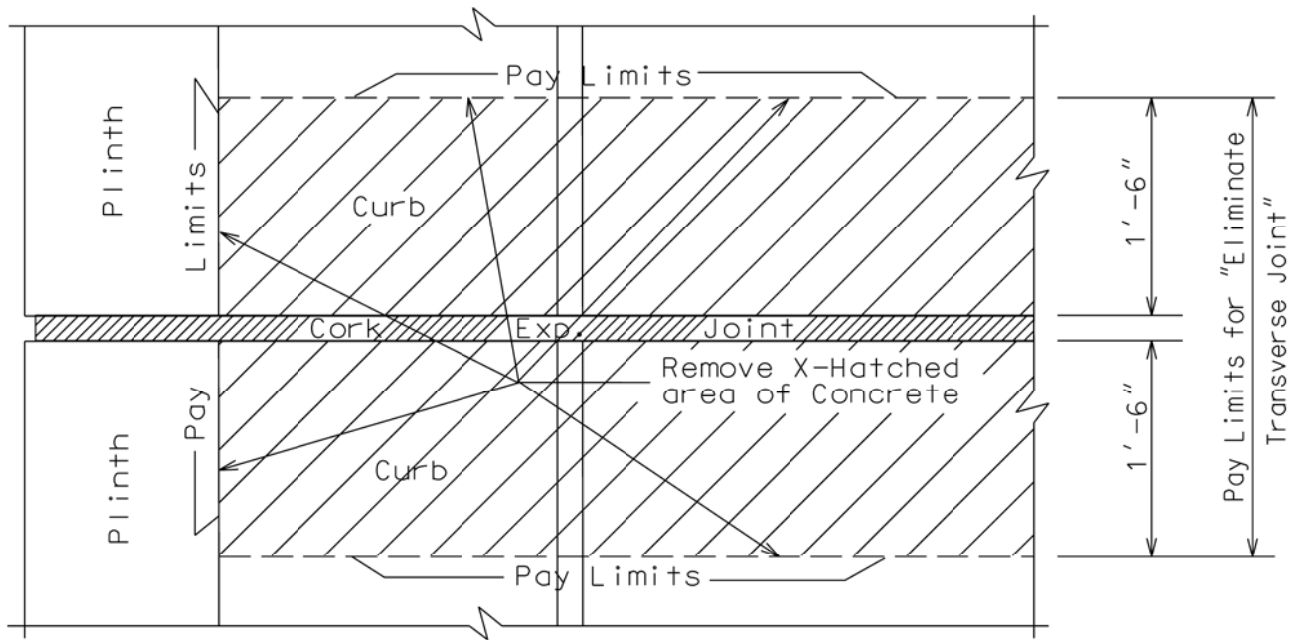
NOTE: Do not disturb existing Steel Reinforcement

EXISTING SECTION @ Transverse Joint

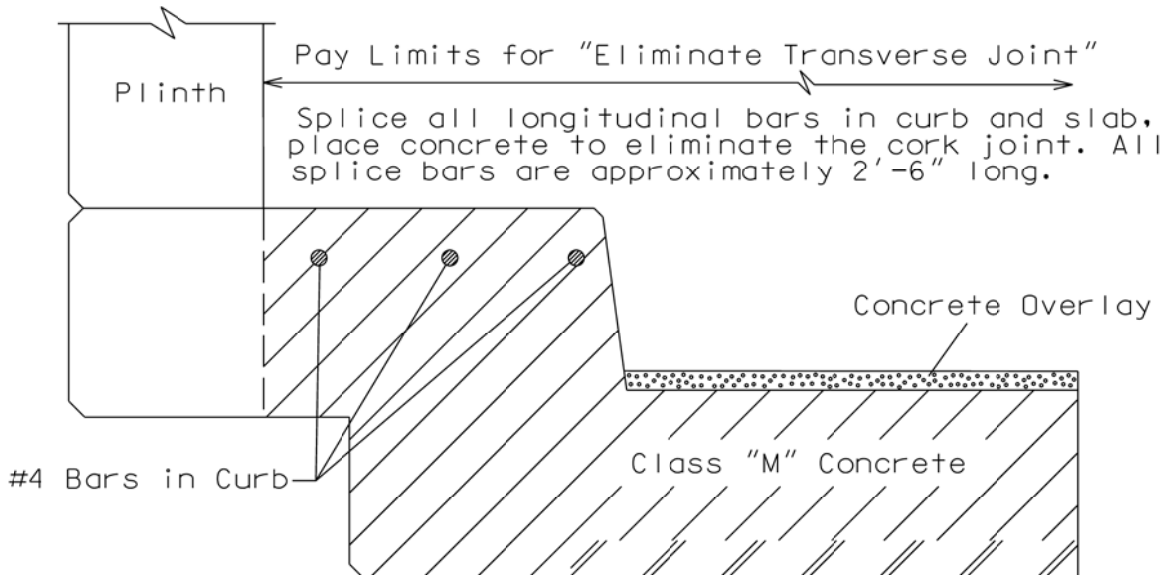


PROPOSED SECTION @ Transverse Joint

ELIMINATE TRANSVERSE JOINT DETAIL



EXISTING PLAN VIEW @ CURB



PROPOSED SECTION @ CURB

CONTRACT ID: 122908
COUNTY: BELL
PROPOSAL: FE02 007 2133 B00016N

PAGE: 1
LETTING: 01/27/12
CALL NO: 311

LINE NO	ITEM	DESCRIPTION	APPROXIMATE QUANTITY	UNIT	UNIT PRICE	AMOUNT
SECTION 0001 BRIDGE						
0010	02562	SIGNS	149.000	SQFT		
0020	02650	MAINTAIN & CONTROL TRAFFIC APPLIES TO 007B00016N	(1.00)	LS		
0030	02653	LANE CLOSURE	2.000	EACH		
0040	03299	ARMORED EDGE FOR CONCRETE (REVISED: 1-24-12)	52.000	LF		
0050	03300	ELIMINATE TRANSVERSE JOINT	52.000	LF		
0060	03301	REPAIR CONCRETE HANDRAIL	12.000	LF		
0070	03304	BRIDGE OVERLAY APPROACH PAVEMENT	489.000	SQYD		
0080	04934	TEMP SIGNAL MULTI PHASE	1.000	EACH		
0090	06549	PAVE STRIPING-TEMP REM TAPE-B	500.000	LF		
0100	06550	PAVE STRIPING-TEMP REM TAPE-W	1,000.000	LF		
0110	06551	PAVE STRIPING-TEMP REM TAPE-Y	2,000.000	LF		
0120	06557	PAVE STRIPING-DUR TY 1-6 IN Y	598.000	LF		
0130	08150	STEEL REINFORCEMENT	868.000	LB		
0140	08504	EPOXY SAND SLURRY	84.300	SQYD		
0150	08534	CONCRETE OVERLAY-LATEX	10.700	CUYD		
0160	08549	BLAST CLEANING	326.000	SQYD		
0170	08551	MACHINE PREP OF SLAB	242.000	SQYD		
0180	23879EC	ACRYLIC GLASS	37.500	SQFT		
0190	24094EC	PARTIAL DEPTH PATCHING	6.700	CUYD		
SECTION 0002 DEMOBILIZATION						

CONTRACT ID: 122908
COUNTY: BELL
PROPOSAL: FE02 007 2133 B00016N

PAGE: 2
LETTING: 01/27/12
CALL NO: 311

LINE NO	ITEM	DESCRIPTION	APPROXIMATE QUANTITY	UNIT	UNIT PRICE	AMOUNT
0200	02569	DEMOBILIZATION (AT LEAST 1.5%)		LUMP		
		TOTAL BID				